



Technical Data:	
Dimensions	280 x 280 x 94 mm
Glass Dimensions	280 x 280 x 4 mm
Connected Load	1 kW
Voltage	240 1 Phase AC 50 - 60 Hz
Recommended Fuses	10 A
External Structure	Stainless Steel
Cooking Surface	Vitro ceramic top glass
Control Panel	Remote Control. Capacitive touches with 3 touches.
Weight	5.5 kg

Product Description:

- Built-in (drop-in) induction unit designed for buffet and food display applications.
- Smooth vitro-ceramic glass surface for easy cleaning and durability.
- Capacitive touch control interface.
- Glass touches, On/Off, manual power setting (+/-) and timer control with 2 digits display (works for both timer and power).
- 3-touch interface with 12 adjustable power levels from 200 to 3000 W.

Included Accessories:

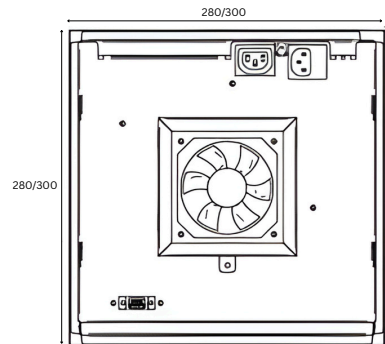
- Silicon gasket
- Mounting frame
- A power cable [Length of communication cable supplied for connecting the remote control = 75 cm (longer lengths available on request)]
- Washable filter

Optional Accessories:

- Interconnection cable to connect up to 2 products.



Top View



Front View

