

# FLOOR DRAINS

MAY 2023



# FLOOR DRAINS

THE  
TOURNUS  
ASSETS



**WIDE RANGE:**  
Vertical and  
horizontal outlet,  
many sizes

#### Easy installation:

small footprint, wide range to meet the needs of every installation, outlet Ø 100 mm.

#### Compliance with standards:

Depth of water 60 mm  
Grating 19 × 19 mm

#### Hygienic:

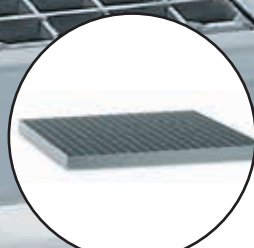
Capacity: 4 litres/second  
Removable trap  
Scrap bucket

#### Safety:

Seamless press-drawn housing.  
Equipotential connections.

#### Extension of range:

Floor drains 250 × 250 mm with vertical outlet with single-piece body and adjustable body.



## For all dimensions in standard:

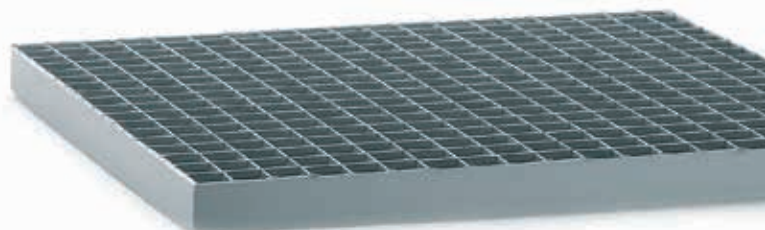
- Stainless steel grating
- Stainless grating non-slip
- Galvanised grating



Flash on our documentation !

ORIGINE  
FRANCE  
GARANTIE

AFNOR CERT. 65929





# FLOOR SIPHONS

Stainless steel construction. Grate Ø 175 mm. Stamped basin 200 × 200 mm with removable bell and pan. Water trap: 60 mm. Flow: 2 litres/second. Max. load: 300 kg (siphons with 2 mm grate), 5 tons. (siphons with 8 mm grate). Separate waste basket. Removable shelf.

Description	Reference	Price
Siphons for tiled floors with removable frame, grid thick 2 mm	<a href="#">802 422</a>	
Siphons for tiled floors with removable frame, grid thick 8 mm	<a href="#">802 432</a>	
Siphons for tiled floors without removable frame, grid thick 2 mm	<a href="#">802 472</a>	
Siphons for tiled floors without removable frame, grid thick 8 mm	<a href="#">802 482</a>	
Siphons for tiled floors with removable frame, grid thick 2 mm with inviolability screw	<a href="#">812 422</a>	
Siphons for tiled floors with removable frame, grid thick 8 mm with inviolability screw	<a href="#">812 432</a>	

## INSTALLATION

- Reserved hole Ø 170 mm
- Connection of container to pipe Ø 75 mm
- Waterproofing of the slab with overlaps in the body to be performed according to normal practices (1)
- Casting of the slab, levelling and anchoring of frame or case (2)
- Laying of tiles or application of resin

(1): Attention, for siphons in tiled floors without adjustable frame: as there is no flange, it is not possible to create the waterproofing of the slab with overlaps into the body. These traps must not be installed in damp premises or on an upper floor.

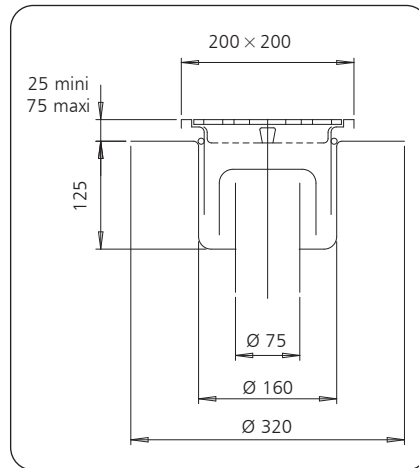
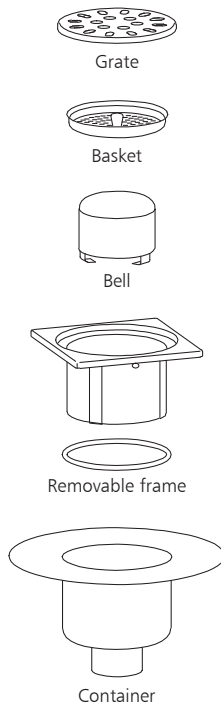
(2): Siphons with adjustable frame can also be adjusted for height, rotation and angle.





## TRAPS WITH ADJUSTABLE FRAME

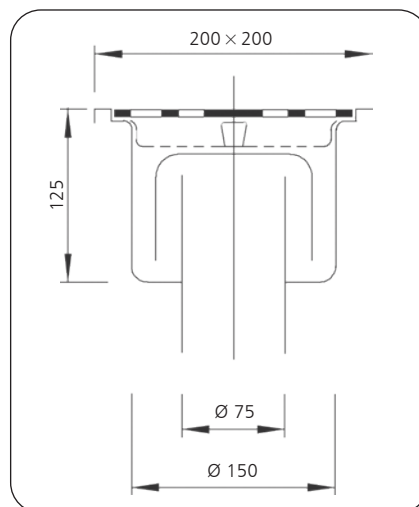
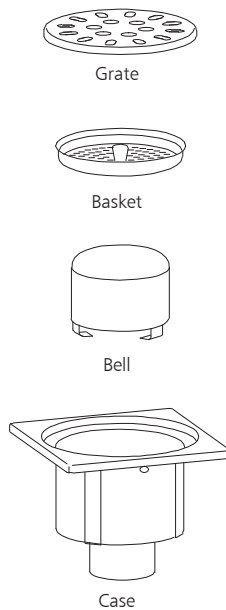
As there is no flange, it is not possible to create the waterproofing with overlaps into the body when there is tiling or a resin floor covering. These traps must not be installed on an upper floor.



802 422

## TRAPS WITHOUT ADJUSTABLE FRAME

They allow for waterproofing can be created with overlaps into the body prior to laying the tiles or floor covering. Traps with adjustable frame can also be adjusted for height, rotation and angle.



802 472

# FLOOR DRAINS



Seamless press-drawn housing



EASY INSTALLATION



Safety

Grating non-slip

Compliance with standards

## Large range of floor drains

The range includes **280 models for use in canteen, restaurant kitchens and supermarkets** for tiles or resin floor coverings (dimensions 250 × 250 mm to 1500 x 500 mm). The floor drains with width 250 mm are designed to be positioned in corridors in front of elevators and doorways of premises.

## Easy installation

**Small reserve holes:** No recess is required in the concrete slab flooring to install vertical drain systems. A reserved hole or core drilling of Ø 225 mm suffices.

**Outlet Ø 100 mm:** This allows for easy connection to the type of piping used most often.

## Security

Tournus pays great attention to the design and manufacture of its products in order to be able to guarantee durable use under the best possible conditions.

## DURABILITY WITH TIME

- Stainless steel AISI 304 construction.
- The trap housing is **press-drawn**, with **no weld** in the area of the water trap.
- The mesh size of the gratings is 19 × 19 mm, for easy passage of trolleys.

## HIGH THROUGHPUT

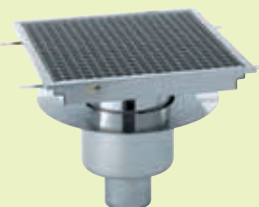
- 4 litres per second.

## HYGIENE

- The depth of **water is 60 mm** in compliance with DTU.
- Outlet includes cross frame to trap scrap waste.
- Gratings, choice of either stainless steel or galvanised, can be cleaned in a sink.

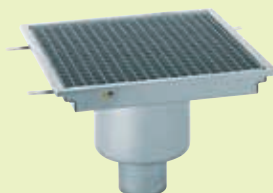


# WIDE RANGE OF FLOOR DRAINS



## Adjustable bowl

The drain system creates waterproofing of the slab with overlaps into the casing prior to applying the screed. The body can be moved in all directions.

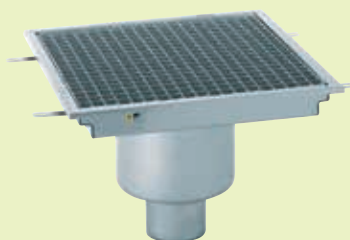


## Single-piece bowl

Simplified model for installation without any need for re-waterproofing.

## Vertical outlet

The removable funnel-type trap makes cleaning of the whole drain easier.



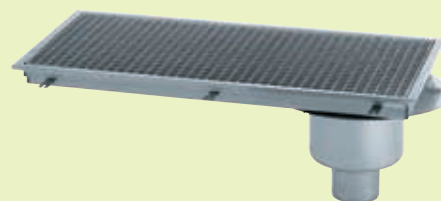
## Horizontal outlet

Shallower, thanks to the lateral discharge

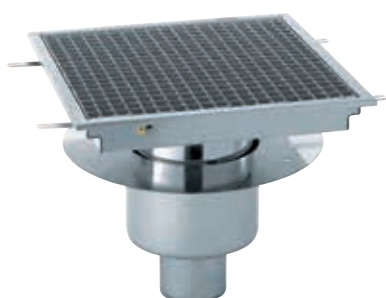


## Off-centre outlet

To facilitate installation when an appliance which is difficult to move is to be installed over the drain.

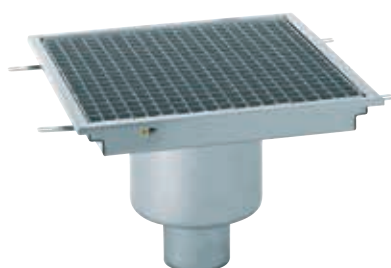


## FLOOR DRAINS 250 × 250 MM WITH VERTICAL OUTLET



### Central outlet with adjustable bowl

Dim. W × L (mm)	With stainless steel grating		With stainless steel and NON-SLIP GRATING	
	Ref.	Price	Ref.	Price
250 × 250	<u>506 980</u>		<u>556 980</u>	



### Central outlet with single-piece bowl

Dim. W × L (mm)	With stainless steel grating		With stainless steel and NON-SLIP GRATING	
	Ref.	Price	Ref.	Price
250 × 250	<u>506 990</u>		<u>556 990</u>	



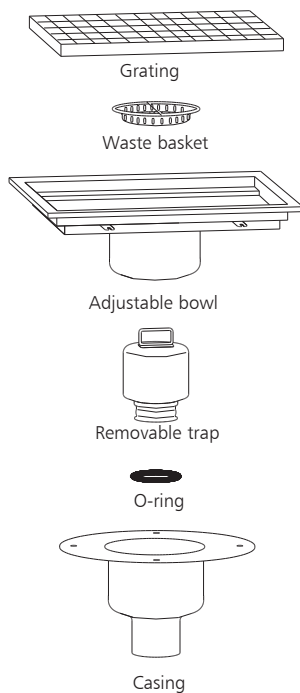
# FLOOR DRAINS WITH VERTICAL OUTLET

**Stainless steel construction** with stainless steel or galvanised grating, mesh size: 19×19 mm. Distributed load: 3 t/m<sup>2</sup>, concentrated load: 750 kg. Independent waste basket. Removable siphon with O-ring to make the cleaning easier, casing regulatory water height of 60 mm. The trap housing is press-drawn. Outlet Ø 100 mm, flow rate 4 litres/second.

**Floor drain with adjustable bowl:** the body supporting the grating is independent. This floor drain is suitable for a slab + tiling depth of 55 to 150 mm. It means the slab waterproofing can be created with overlaps into the casing prior to laying the tiles.

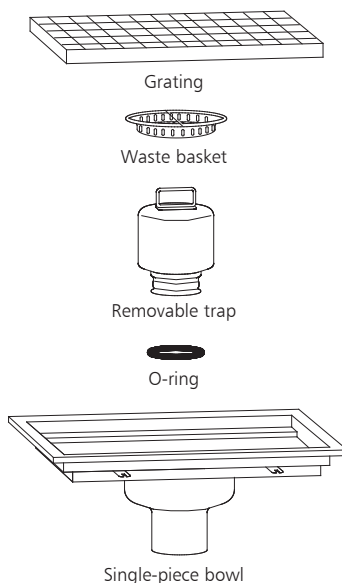
**Floor drain with single-piece bowl:** the grating is set into the upper rim of the body. With this e-piece design, it is not possible to create the slab waterproofing with overlaps into the casing

## Central outlet with adjustable bowl



Dim. W × L (mm)	With stainless steel grating		With stainless steel and NON-SLIP GRATING	
	Ref.	Price	Ref.	Price
250 × 1000	<a href="#">507 160</a>		<a href="#">557 160</a>	
250 × 1500	<a href="#">507 161</a>		<a href="#">557 161</a>	
250 × 2000	<a href="#">507 162</a>		<a href="#">557 162</a>	
250 × 2500	<a href="#">507 163</a>		<a href="#">557 163</a>	
300 × 300	<a href="#">507 000</a>		<a href="#">557 000</a>	
300 × 600	<a href="#">507 001</a>		<a href="#">557 001</a>	
300 × 900	<a href="#">507 002</a>		<a href="#">557 002</a>	
400 × 400	<a href="#">507 003</a>		<a href="#">557 003</a>	
400 × 800	<a href="#">507 004</a>		<a href="#">557 004</a>	
400 × 1200	<a href="#">507 005</a>		<a href="#">557 005</a>	
500 × 500	<a href="#">507 006</a>		<a href="#">557 006</a>	
500 × 1000	<a href="#">507 007</a>		<a href="#">557 007</a>	
500 × 1500	<a href="#">507 008</a>		<a href="#">557 008</a>	

## Central outlet with single-piece bowl



Dim. W × L (mm)	With stainless steel grating		With stainless steel and NON-SLIP GRATING	
	Ref.	Price	Ref.	Price
250 × 1000	<a href="#">507 200</a>		<a href="#">557 200</a>	
250 × 1500	<a href="#">507 201</a>		<a href="#">557 201</a>	
250 × 2000	<a href="#">507 202</a>		<a href="#">557 202</a>	
250 × 2500	<a href="#">507 203</a>		<a href="#">557 203</a>	
300 × 300	<a href="#">507 040</a>		<a href="#">557 040</a>	
300 × 600	<a href="#">507 041</a>		<a href="#">557 041</a>	
300 × 900	<a href="#">507 042</a>		<a href="#">557 042</a>	
400 × 400	<a href="#">507 043</a>		<a href="#">557 043</a>	
400 × 800	<a href="#">507 044</a>		<a href="#">557 044</a>	
400 × 1200	<a href="#">507 045</a>		<a href="#">557 045</a>	
500 × 500	<a href="#">507 046</a>		<a href="#">557 046</a>	
500 × 1000	<a href="#">507 047</a>		<a href="#">557 047</a>	
500 × 1500	<a href="#">507 048</a>		<a href="#">557 048</a>	

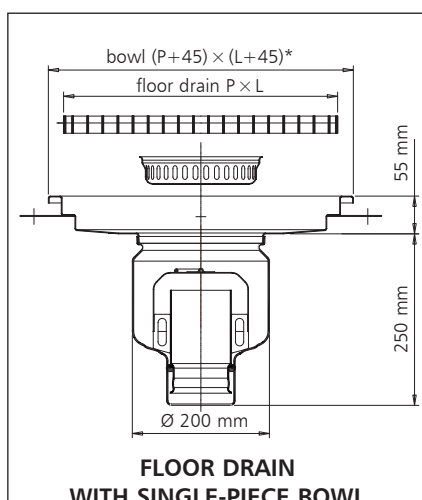
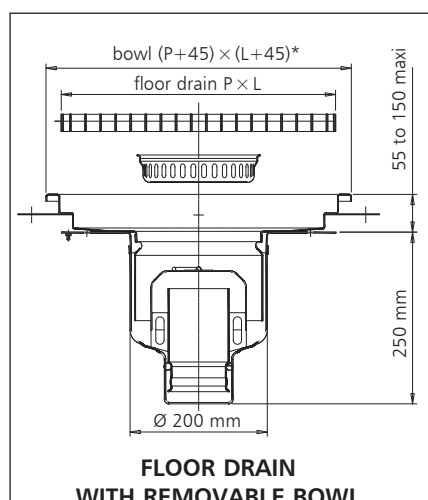


Consult'Express



Your shipping date

# FLOOR DRAINS WITH VERTICAL OUTLET

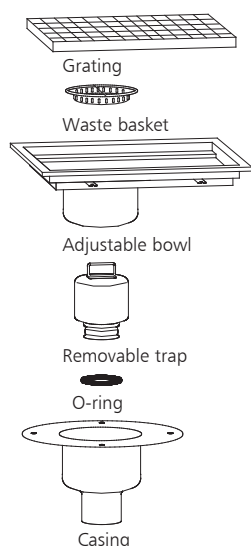


## Requirements to install vertical outlet drains:

- create pocket or core drill the slab to create a breaking through hole of Ø 225 mm.
- In the screed, allow the depth and length of the body plus 200 mm

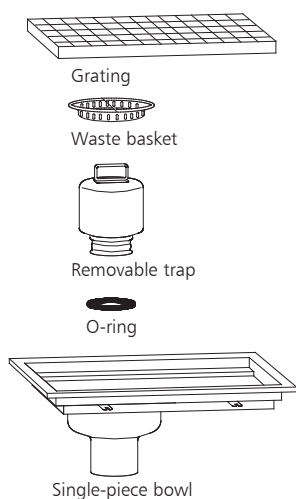
(\*): L + 50 mm instead of L + 45 mm for floor drains 250 × 2000, 250 × 2500, 300 × 900, 400 × 1200, 500 × 1500 mm

## Off-centre outlet with adjustable bowl



Dim. W x L (mm)	With stainless steel grating		With stainless steel and NON-SLIP GRATING	
	Ref.	Price	Ref.	Price
250 × 1000	<a href="#">507 180</a>		<a href="#">557 180</a>	
250 × 1500	<a href="#">507 181</a>		<a href="#">557 181</a>	
250 × 2000	<a href="#">507 182</a>		<a href="#">557 182</a>	
250 × 2500	<a href="#">507 183</a>		<a href="#">557 183</a>	
300 × 600	<a href="#">507 021</a>		<a href="#">557 021</a>	
300 × 900	<a href="#">507 022</a>		<a href="#">557 022</a>	
400 × 800	<a href="#">507 024</a>		<a href="#">557 024</a>	
400 × 1200	<a href="#">507 025</a>		<a href="#">557 025</a>	
500 × 1000	<a href="#">507 027</a>		<a href="#">557 027</a>	
500 × 1500	<a href="#">507 028</a>		<a href="#">557 028</a>	

## Off-centre outlet with single piece bowl



Dim. W x L (mm)	With stainless steel grating		With stainless steel and NON-SLIP GRATING	
	Ref.	Price	Ref.	Price
250 × 1000	<a href="#">507 220</a>		<a href="#">557 220</a>	
250 × 1500	<a href="#">507 221</a>		<a href="#">557 221</a>	
250 × 2000	<a href="#">507 222</a>		<a href="#">557 222</a>	
250 × 2500	<a href="#">507 223</a>		<a href="#">557 223</a>	
300 × 600	<a href="#">507 061</a>		<a href="#">557 061</a>	
300 × 900	<a href="#">507 062</a>		<a href="#">557 062</a>	
400 × 800	<a href="#">507 064</a>		<a href="#">557 064</a>	
400 × 1200	<a href="#">507 065</a>		<a href="#">557 065</a>	
500 × 1000	<a href="#">507 067</a>		<a href="#">557 067</a>	
500 × 1500	<a href="#">507 068</a>		<a href="#">557 068</a>	





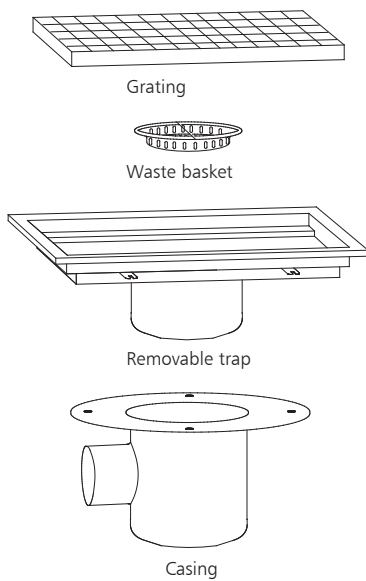
# FLOOR DRAINS WITH HORIZONTAL OUTLET

**Stainless steel construction** with stainless steel or galvanised grating, mesh size: 19×19 mm. Distributed load: 3 t/m<sup>2</sup>, concentrated load: 750 kg. Independent waste basket. Press-drawn floor drain casing regulatory water height of 60 mm. Outlet Ø 100 mm, flow rate 4 litres/second.

**Floor drain with adjustable bowl:** the body supporting the grating is independent, this floor drain is suitable for a slab + tiling depth of 55 to 150 mm. Its means the slab waterproofing can be created with overlaps into the casing prior to laying the tiles.

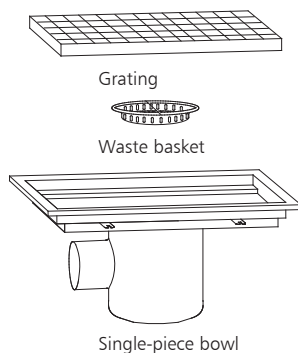
**Floor drain with single-piece bowl:** the grating is set into the upper rim of the body. With this one-piece design, it is not possible to create the slab waterproofing with overlaps into the casing.

## Central outlet with adjustable bowl



Dim. W × L (mm)	With stainless steel grating		With stainless steel and NON-SLIP GRATING	
	Ref.	Price	Ref.	Price
250 × 1000	<a href="#">507 240</a>		<a href="#">557 240</a>	
250 × 1500	<a href="#">507 241</a>		<a href="#">557 241</a>	
250 × 2000	<a href="#">507 242</a>		<a href="#">557 242</a>	
250 × 2500	<a href="#">507 243</a>		<a href="#">557 243</a>	
300 × 300	<a href="#">507 080</a>		<a href="#">557 080</a>	
300 × 600	<a href="#">507 081</a>		<a href="#">557 081</a>	
300 × 900	<a href="#">507 082</a>		<a href="#">557 082</a>	
400 × 400	<a href="#">507 083</a>		<a href="#">557 083</a>	
400 × 800	<a href="#">507 084</a>		<a href="#">557 084</a>	
400 × 1200	<a href="#">507 085</a>		<a href="#">557 085</a>	
500 × 500	<a href="#">507 086</a>		<a href="#">557 086</a>	
500 × 1000	<a href="#">507 087</a>		<a href="#">557 087</a>	
500 × 1500	<a href="#">507 088</a>		<a href="#">557 088</a>	

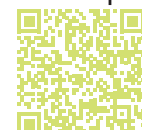
## Central outlet one single-piece bowl



Dim. W × L (mm)	With stainless steel grating		With stainless steel and NON-SLIP GRATING	
	Ref.	Price	Ref.	Price
250 × 1000	<a href="#">507 280</a>		<a href="#">557 280</a>	
250 × 1500	<a href="#">507 281</a>		<a href="#">557 281</a>	
250 × 2000	<a href="#">507 282</a>		<a href="#">557 282</a>	
250 × 2500	<a href="#">507 283</a>		<a href="#">557 283</a>	
300 × 300	<a href="#">507 120</a>		<a href="#">557 120</a>	
300 × 600	<a href="#">507 121</a>		<a href="#">557 121</a>	
300 × 900	<a href="#">507 122</a>		<a href="#">557 122</a>	
400 × 400	<a href="#">507 123</a>		<a href="#">557 123</a>	
400 × 800	<a href="#">507 124</a>		<a href="#">557 124</a>	
400 × 1200	<a href="#">507 125</a>		<a href="#">557 125</a>	
500 × 500	<a href="#">507 126</a>		<a href="#">557 126</a>	
500 × 1000	<a href="#">507 127</a>		<a href="#">557 127</a>	
500 × 1500	<a href="#">507 128</a>		<a href="#">557 128</a>	

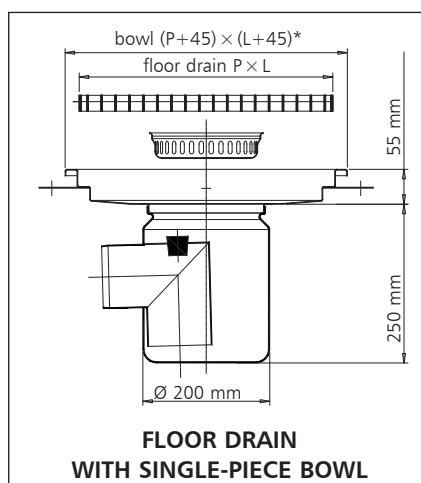
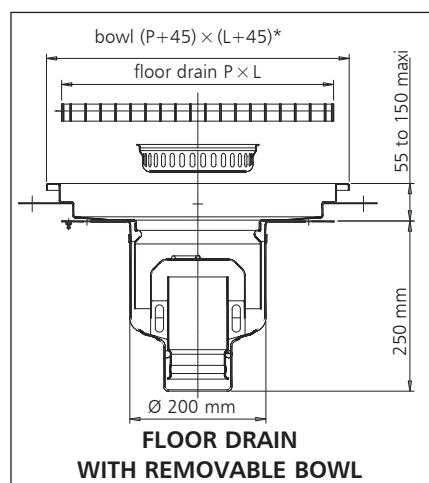


Consult'Express



Your shipping date

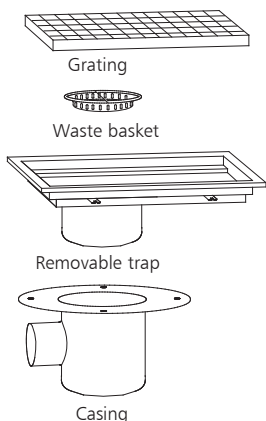
# FLOOR DRAINS WITH HORIZONTAL OUTLET



## Requirements to install horizontal outlet drains:

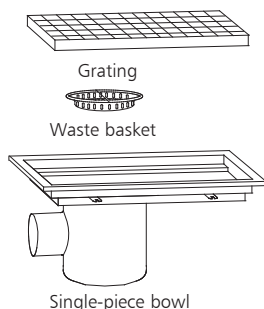
- create pocket or core drill the slab to create a breaking through hole of diameter 400 mm, height 275 mm.
- in the screed, allow for the depth and length of the body plus 200 mm

(\*): L + 50 mm instead of L + 45 mm for floor drains 250 × 2000, 250 × 2500, 300 × 900, 400 × 1200, 500 × 1500 mm.



## Off-centre outlet with adjustable bowl

Dim. W × L (mm)	With stainless steel grating		With stainless steel and NON-SLIP GRATING	
	Ref.	Price	Ref.	Price
250 × 1000	507 260		557 260	
250 × 1500	507 261		557 261	
250 × 2000	507 262		557 262	
250 × 2500	507 263		557 263	
300 × 600	507 101		557 101	
300 × 900	507 102		557 102	
400 × 800	507 104		557 104	
400 × 1200	507 105		557 105	
500 × 1000	507 107		557 107	
500 × 1500	507 108		557 108	

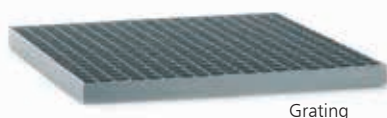


## Off-centre outlet with single-piece bowl

Dim. W × L (mm)	With stainless steel grating		With stainless steel and NON-SLIP GRATING	
	Ref.	Price	Ref.	Price
250 × 1000	507 310		557 310	
250 × 1500	507 311		557 311	
250 × 2000	507 312		557 312	
250 × 2500	507 313		557 313	
300 × 600	507 141		557 141	
300 × 900	507 142		557 142	
400 × 800	507 144		557 144	
400 × 1200	507 145		557 145	
500 × 1000	507 147		557 147	
500 × 1500	507 148		557 148	

## Extra-cost added to the price of floor drains

Floor drains 300 × 300, 400 × 400 and 500 × 500 mm with square gratings. Floor drains 300 × 900, 400 × 1200 & 500 × 1500 mm with 3 square gratings. Floor drains 300 × 600, 400 × 800 & 500 × 1000 mm with one rectangular grating. **It is possible to replace this rectangular grating by 2 square gratings.**



Description	Reference	Price
2 stainless steel gratings 300 × 300 mm instead of one grating 300 × 600 mm	702 340	
2 stainless steel gratings 400 × 400 mm instead of one grating 400 × 800 mm	702 341	
2 stainless steel gratings 500 × 500 mm instead of one grating 500 × 1000 mm	702 342	

# # EXPORT TEAM



**Romain BRETON**  
**Export Director**  
**Northern Europe**  
Mob: + 33 6 83 66 30 85  
rbreton@tournus.com

**Frédéric DOUX**  
**Benelux, Switzerland, Caribbean**  
Mob: + 33 6 07 27 10 53  
fdoux@tournus.com

**Giorgia STEFANI**  
**Italy**  
Mob: + 39 338 498 50 09  
gstefani@tournus.com

**Georges WARDE**  
**Middle East, Africa, Asia**  
Mob: + 33 6 11 17 53 98  
gwarde@tournus.com

**Vibin THOMAS**  
**UAE, Oman, Kuwait, Bahrain**  
Mob: + 971 56 441 78 40  
vthomas@tournus.com

**Claudia SCHMITT**  
**Germany**  
Mob: + 49 176 81009375  
claudia.schmitt@vskraus.de

## BACK OFFICE

**Carine VILLANI**  
Mob: + 33 3 85 27 42 43  
cvillani@tournus.com

**Emeline RAVET**  
Tel : + 33 3 85 27 42 74  
eravet@tournus.com

**Virginie POITOUX**  
Mob: + 33 3 85 27 42 65  
vpoitoux@tournus.com

**TOURNUS EQUIPEMENT**  
25 avenue Jean Moulin  
CS 20005  
71700 TOURNUS - FRANCE

Code APE2893 Z - RC Mâcon B383 567 104  
Fax : + 33 3 85 27 42 60  
export@tournus.com

[www.tournus.com](http://www.tournus.com)

Join us...

