

REFRIGERATED UNITS

MAY 2023



REFRIGERATED UNITS

THE
TOURNUS
ASSETS



Hygiene:

Easy to clean thanks to a fully curved inside: curved vertical edges and stamped base. Removable U-sliders on removable uprights.

Eye-catching:

The rounded front edge, 60 mm high allows for optimum integration into a line of Tournus units.

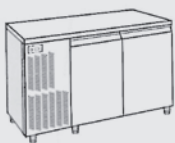
Reliability of refrigerated units

Performance:

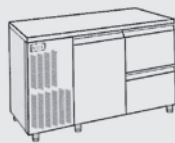
Flush-mounted evaporator with distribution tunnel in top part, protected from splashes. The openings are evenly distributed in the top guaranteeing even temperature distribution inside the storage area.

The injected moulded polyurethan foam ensures quality insulation of all the walls: rear, sides and doors.

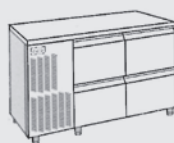
STANDARDS UNITS, 5 MODELS OF DOORS AND DRAWERS



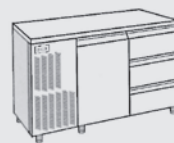
Unit with 2 doors



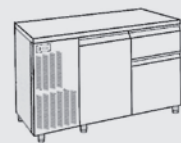
1 door + 2 drawers
height 210 mm



2 x 2 drawers
height 210 mm



1 door + 3 drawers height
105 mm



1 door + 2 drawers height
320 + 105 mm



REFRIGERATED UNITS

Standard units:

stainless steel construction, 900 mm high. Reinforced worktop with water repellent laminate panel. Rounded front edge, 60 mm high. Cupboard with press-drawn base and radiused vertical edges. 3 levels of removable U-sliders provided on removable racks (easy tool-free dismantling). Adjustable sliders on 12 positions. Reversible doors with magnetic seal with return. Stainless steel tubular legs Ø 60 mm, height adjustable (-25/+25 mm). Voltage: 230V-1N. Regulator with built-in HACCP alarm: can store up to 3 alarms by saving the value of the critical temperature, date and time of alarm recording and alarm duration.

Refrigeration:

Flush-mounted, fan-assisted evaporator with distribution tunnel in top part of storage area, protected from splashes. The openings evenly distributed in the top guarantee even temperature distribution. Injection moulded polyurethane insulation 50 mm thick in base, top, rear and doors. Operation designed for an ambient temperature up to 43°C. Coolant gas R290. Electronic thermostat with digital readout. Automatic defrosting with evaporation tray for condensation water. Removable compressor. Programmable display for compressor servicing.

Units without compressor:

supplied with evaporator, control and regulator. Technical compartment for connections.

GN refrigerated units with compressor

GN 1/1 refrigerated units, opening 325 mm, height 900 mm



508 011



508 012

Units with	Overall dim. W x L (mm)	Power (W)	Without upstand		With upstand	
			Ref.	Price	Ref.	Price
1 DOOR	700 x 859	598	508 001		528 001	
2 drawers, height 210 mm	700 x 859	598	508 002		528 002	
3 drawers, height 105 mm	700 x 859	598	508 004		528 004	
2 drawers, height 320 + 105 mm	700 x 859	598	508 005		528 005	
2 DOORS	700 x 1313	698	508 011		528 011	
1 door + 2 drawers, height 210 mm	700 x 1313	698	508 012		528 012	
2 x 2 drawers, height 210 mm	700 x 1313	698	508 013		528 013	
1 door + 3 drawers, height 105 mm	700 x 1313	698	508 014		528 014	
1 door + 2 drawers, height 320 + 105 mm	700 x 1313	698	508 015		528 015	
3 DOORS	700 x 1767	1000	508 021		528 021	
2 doors + 2 drawers, height 210 mm	700 x 1767	1000	508 022		528 022	
1 door + 2 x 2 drawers, height 210 mm	700 x 1767	1000	508 023		528 023	
2 doors + 3 drawers, height 105 mm	700 x 1767	1000	508 024		528 024	
2 doors + 2 drawers, height 320 + 105 mm	700 x 1767	1000	508 025		528 025	
4 DOORS	700 x 2221	1170	508 031		528 031	
3 doors + 2 drawers, height 210 mm	700 x 2221	1170	508 032		528 032	
2 doors + 2 x 2 drawers, height 210 mm	700 x 2221	1170	508 033		528 033	
3 doors + 3 drawers, height 105 mm	700 x 2221	1170	508 034		528 034	
3 doors + 2 drawers, height 320 + 105 mm	700 x 2221	1170	508 035		528 035	



Consult'Express



Your shipping date

GN refrigerated unit with compressor

GN 1/1 refrigerated units, opening 325 mm, height 900 mm

NEGATIVE REFRIGERATION
(- 20°C - 10°C)



528 048

Units with	Overall dim. W x I (mm)	Power (W)	Without upstand		With upstand	
			Ref.	Price	Ref.	Price
1 door	700 × 859	577	<u>508 046</u>		<u>528 046</u>	
2 doors	700 × 1313	834	<u>508 047</u>		<u>528 047</u>	
3 doors	700 × 1767	1061	<u>508 048</u>		<u>528 048</u>	

GN refrigerated units without compressor

GN 1/1 refrigerated units, opening 325 mm, height 900 mm

POSITIVE REFRIGERATION
(- 2°C + 10°C)



528 111

Units with	Overall dim. W x I (mm)	Power (W)	Without upstand		With upstand	
			Ref.	Price	Ref.	Price
1 DOOR	700 × 669	598	<u>508 101</u>		<u>528 101</u>	
2 drawers, height 210 mm	700 × 669	598	<u>508 102</u>		<u>528 102</u>	
3 drawers, height 105 mm	700 × 669	598	<u>508 104</u>		<u>528 104</u>	
2 drawers, height 320 + 105 mm	700 × 669	598	<u>508 105</u>		<u>528 105</u>	
2 DOORS	700 × 1123	698	<u>508 111</u>		<u>528 111</u>	
1 door + 2 drawers, height 210 mm	700 × 1123	698	<u>508 112</u>		<u>528 112</u>	
2 × 2 drawers, height 210 mm	700 × 1123	698	<u>508 113</u>		<u>528 113</u>	
1 door + 3 drawers, ht 105 mm	700 × 1123	698	<u>508 114</u>		<u>528 114</u>	
1 door + 2 drawers, height 320 + 105 mm	700 × 1123	698	<u>508 115</u>		<u>528 115</u>	
3 DOORS	700 × 1577	1000	<u>508 121</u>		<u>528 121</u>	
2 doors + 2 drawers, ht 210 mm	700 × 1577	1000	<u>508 122</u>		<u>528 122</u>	
1 door + 2 × 2 drawers, ht 210 mm	700 × 1577	1000	<u>508 123</u>		<u>528 123</u>	
2 doors + 3 drawers, ht 105 mm	700 × 1577	1000	<u>508 124</u>		<u>528 124</u>	
2 doors + 2 drawers, height 320 + 105 mm	700 × 1577	1000	<u>508 125</u>		<u>528 125</u>	
4 DOORS	700 × 2031	1170	<u>508 131</u>		<u>528 131</u>	
3 doors + 2 drawers, ht 210 mm	700 × 2031	1170	<u>508 132</u>		<u>528 132</u>	
2 doors + 2 × 2 drawers, ht 210 mm	700 × 2031	1170	<u>508 133</u>		<u>528 133</u>	
3 doors + 3 drawers, ht 105 mm	700 × 2031	1170	<u>508 134</u>		<u>528 134</u>	
3 doors + 2 drawers, height 320 + 105 mm	700 × 2031	1170	<u>508 135</u>		<u>528 135</u>	



528 122

GN refrigerated unit without compressor

GN 1/1 refrigerated units, opening 325 mm, height 900 mm

NEGATIVE REFRIGERATION
(- 20°C - 10°C)

Units with	Overall dim. W x I (mm)	Power (W)	Without upstand		With upstand	
			Ref.	Price	Ref.	Price
1 door	700 × 669	577	<u>508 146</u>		<u>528 146</u>	
2 doors	700 × 1123	834	<u>508 147</u>		<u>528 147</u>	
3 doors	700 × 1577	1061	<u>508 148</u>		<u>528 148</u>	



Euronorm refrigerated units with compressor

Euronorm refrigerated units, opening 400 mm, height 900 mm

 **POSITIVE REFRIGERATION**
(- 2°C + 10°C)



508 202

Units with	Overall dim. W x l (mm)	Power (W)	Without upstand		With upstand	
			Ref.	Price	Ref.	Price
1 door	800 x 934	596	508 201		528 201	
2 doors	800 x 1463	825	508 202		528 202	
3 doors	800 x 1992	1000	508 203		528 203	
4 doors	800 x 2521	1170	508 204		528 204	

Euronorm refrigerated units with compressor

Euronorm refrigerated units, opening 400 mm, height 900 mm

 **NEGATIVE REFRIGERATION**
(- 20°C - 10°C)

Units with	Overall dim. W x l (mm)	Power (W)	Without upstand		With upstand	
			Ref.	Price	Ref.	Price
1 door	800 x 934	580	508 216		528 216	
2 doors	800 x 1463	834	508 217		528 217	
3 doors	800 x 1992	910	508 218		528 218	

Euronorm refrigerated units without compressor

Euronorm refrigerated units, opening 400 mm, height 900 mm

 **POSITIVE REFRIGERATION**
(- 2°C + 10°C)

Units with	Overall dim. W x l (mm)	Power (W)	Without upstand		With upstand	
			Ref.	Price	Ref.	Price
1 door	800 x 744	596	508 231		528 231	
2 doors	800 x 1273	825	508 232		528 232	
3 doors	800 x 1802	1000	508 233		528 233	
4 doors	800 x 2331	1170	508 234		528 234	

Euronorm refrigerated units without compressor

Euronorm refrigerated units, opening 400 mm, height 900 mm

 **NEGATIVE REFRIGERATION**
(- 20°C - 10°C)



528 247

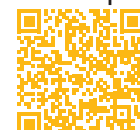
Units with	Overall dim. W x l (mm)	Power (W)	Without upstand		With upstand	
			Ref.	Price	Ref.	Price
1 door	800 x 744	580	508 246		528 246	
2 doors	800 x 1273	834	508 247		528 247	
3 doors	800 x 1802	910	508 248		528 248	

Extra charges for refrigerated units

Extra charges for refrigerated units	Reference	Price
Granite top, 30 mm thick, per m ²	701 760	
Usb plug	701 622	
2 Extra sliders (1 level, extra per door)	701 627	
4 Wheels with stainless steel cover, 2 with brakes	701 628	



Consult'Express



Your shipping date



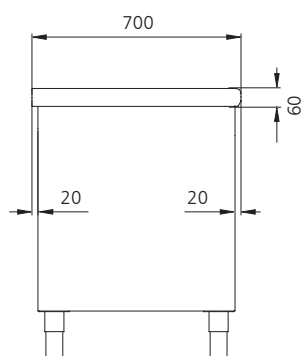
HEATED UNITS

Standard units only. Units with ventilated heated interior. Stainless steel construction. Adjustable height 900 to 950 mm.

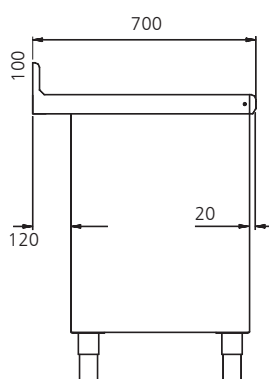
Reinforced inner panels. Legs Ø 60 mm with jacks. Sliding doors reinforced. One adjustable shelf. **Heating system allowing an homogeneous distribution of the inner temperature, with more than 63°C inside the products during more than 2 hours.** Electrical connection terminal in the technical compartment (cable not included).



Heating system ensuring even temperature distribution inside units with holding of product core temperature greater than 63°C for over 2 hours.



Width 700 mm without upstand



Width 700 mm without upstand

With heated interior and worktop

Power 3550 W. Voltage: 400 V - 3N ~ + PE

Overall dim. W x l (mm)	Central unit with sliding doors on 1 side		Unit with upstand and sliding doors on 1 side		Central unit with sliding doors on 2 sides	
	Ref.	Price	Ref.	Price	Ref.	Price
700 x 1200	<u>804 675</u>		<u>824 675</u>		<u>804 685</u>	
700 x 1400	<u>804 676</u>		<u>824 676</u>		<u>804 686</u>	
700 x 1600	<u>804 677</u>		<u>824 677</u>		<u>804 687</u>	
700 x 1800	<u>804 678</u>		<u>824 678</u>		<u>804 688</u>	
700 x 2000	<u>804 679</u>		<u>824 679</u>		<u>804 689</u>	

With heated interior

Power 2050 W. Voltage: 230 V - 1 N ~ + PE

Overall dim. W x l (mm)	Central unit with sliding doors on 1 side		Unit with upstand and sliding doors on 1 side		Central unit with sliding doors on 2 sides	
	Ref.	Price	Ref.	Price	Ref.	Price
600 x 1200	<u>504 675</u>		<u>524 675</u>		<u>504 685</u>	
600 x 1400	<u>504 676</u>		<u>524 676</u>		<u>504 686</u>	
600 x 1600	<u>504 677</u>		<u>524 677</u>		<u>504 687</u>	
700 x 1200	<u>504 655</u>		<u>524 655</u>		<u>504 665</u>	
700 x 1400	<u>504 656</u>		<u>524 656</u>		<u>504 666</u>	
700 x 1600	<u>504 657</u>		<u>524 657</u>		<u>504 667</u>	
700 x 1800	<u>504 658</u>		<u>524 658</u>		<u>504 668</u>	
700 x 2000	<u>504 659</u>		<u>524 659</u>		<u>504 669</u>	



504 656

Extras for heated units

Description	Reference	Price
Lock on heated units (1)	<u>118 882</u>	
4 Stainless steel wheels ø 125 mm including 2 brakes	<u>701 778</u>	

(1) Delivery in kit form, to assemble.



Shelves for heated units

Stainless steel shelf units, shelves 1,5 mm thick, columns 38 mm with curved base. Heating method: by radiation under the surface for infra red and halogen shelves, resistance in top part for the other models.

These shelves are made for Tournus units only. The shelves positioning requires an adaptation on the unit (specially made worktop), (top with fitting), on/off switch on control panel. Therefore, these shelves have to be ordered together with the unit

1 LEVEL

Depth 320 mm, height 360 mm



703 602

Shelves 1 level for units of length (mm)	Neutral shelves		Heated shelves			Infrared shelves			Halogen shelves		
	Ref.	Price	Ref.	Power (W)	Price	Ref.	Power (W)	Price	Ref.	Power (W)	Price
1200	703 601		703 611	300		703 621	500		703 631	600	
1400	703 602		703 612	600		703 622	750		703 632	900	
1600	703 603		703 613	600		703 623	1000		703 633	1200	
1800	703 604		703 614	600		703 624	1000		703 634	1200	
2000	703 605		703 615	600		703 625	1250		703 635	1500	

2 LEVELS

Depth 320 mm, height 630 mm. Neutral upper level.



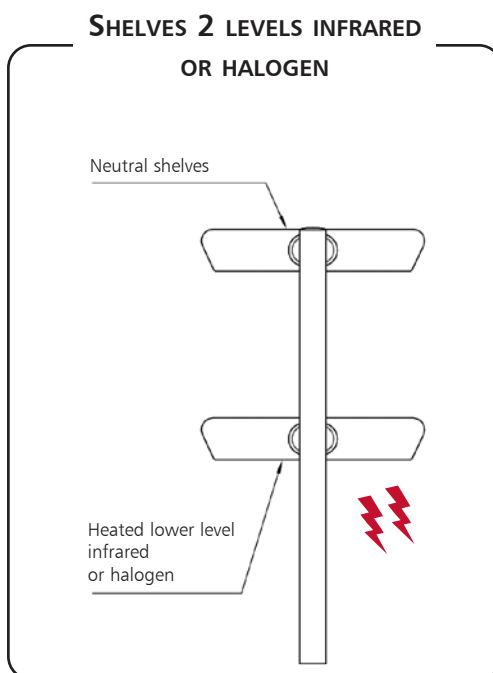
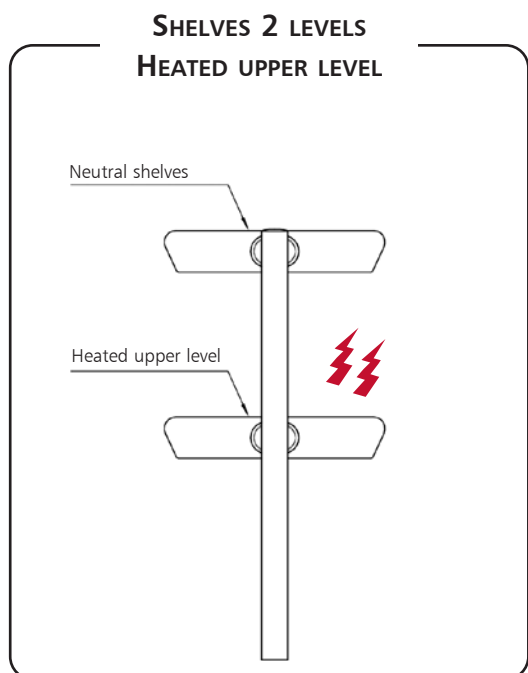
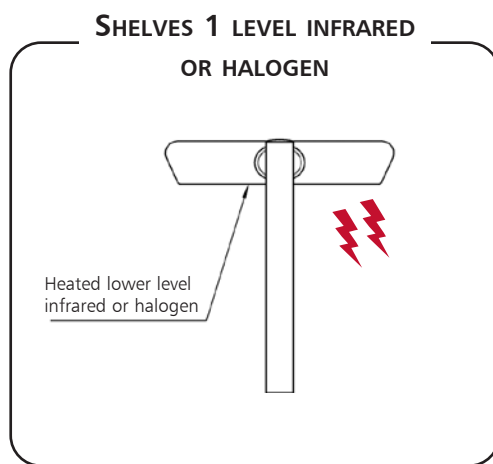
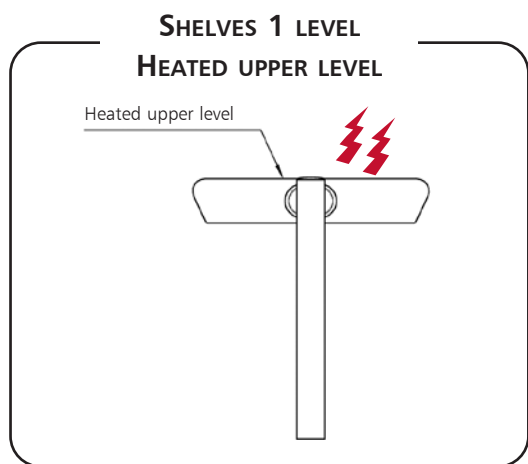
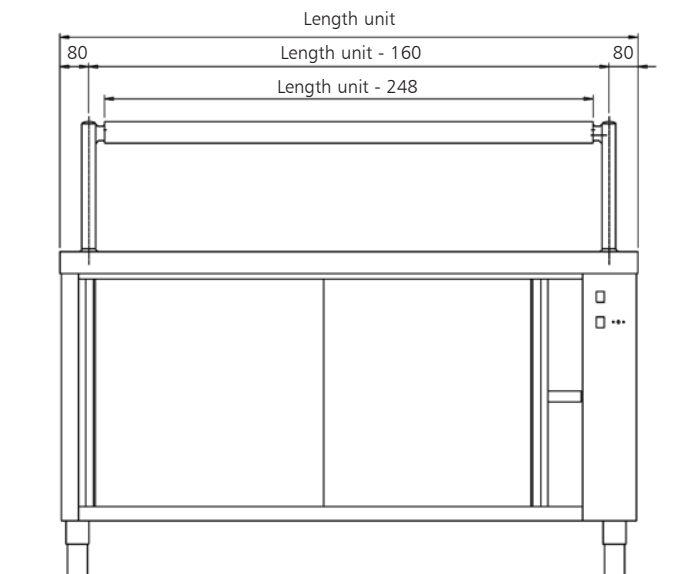
703 652

Shelves 2 levels for units of length (mm)	With neutral lower level		With heated lower level			With infrared lower level			With halogen lower level		
	Ref.	Price	Ref.	Power (W)	Price	Ref.	Power (W)	Price	Ref.	Power (W)	Price
1200	703 651		703661	300		703 671	500		703 681	600	
1400	703 652		703662	600		703 672	750		703 682	900	
1600	703 653		703663	600		703 673	1000		703 683	1200	
1800	703 654		703664	600		703 674	1000		703 684	1200	
2000	703 655		703665	600		703 675	1250		703 685	1500	

Special adaptation on existing unit:

- Fixing plate for adaptation to existing unit - ref: 703 599
- Switch for shelves with energy (*), ref: 703 600

(*) The switch is fixed to an upright of the shelf



EXPORT TEAM



Romain BRETON
Export Director
Northern Europe
Mob: + 33 6 83 66 30 85
rbreton@tournus.com

Frédéric DOUX
Benelux, Switzerland, Caribbean
Mob: + 33 6 07 27 10 53
fdoux@tournus.com

Giorgia STEFANI
Italy
Mob: + 39 338 498 50 09
gstefani@tournus.com

Georges WARDE
Middle East, Africa, Asia
Mob: + 33 6 11 17 53 98
gwarde@tournus.com

Vibin THOMAS
UAE, Oman, Kuwait, Bahrain
Mob: + 971 56 441 78 40
vthomas@tournus.com

Claudia SCHMITT
Germany
Mob: + 49 176 81009375
claudia.schmitt@vskraus.de

BACK OFFICE

Carine VILLANI
Mob: + 33 3 85 27 42 43
cvillani@tournus.com

Emeline RAVET
Tel : + 33 3 85 27 42 74
eravet@tournus.com

Virginie POITOUX
Mob: + 33 3 85 27 42 65
vpoitoux@tournus.com

TOURNUS EQUIPEMENT
25 avenue Jean Moulin
CS 20005
71700 TOURNUS - FRANCE

Code APE2893 Z - RC Mâcon B383 567 104
Fax : + 33 3 85 27 42 60
export@tournus.com

www.tournus.com

Join us...

