



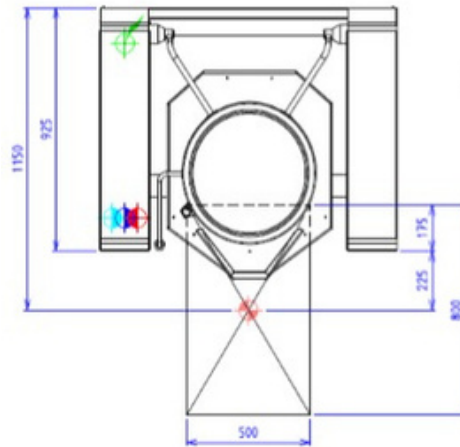
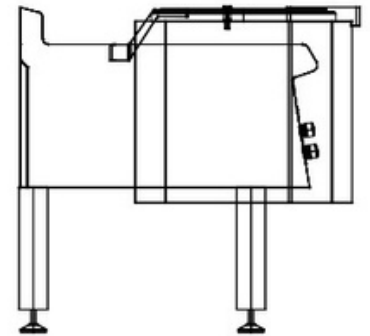
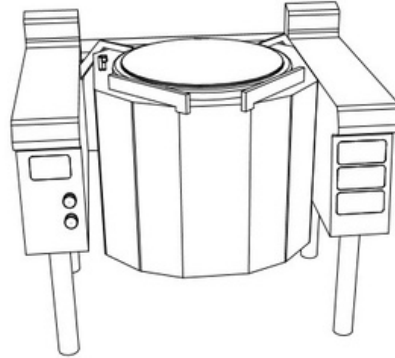
Pilot Kettle BM 80L Mixing Kettle arm and elliptic bottom

Product Advantages:

- Tank and double layer in stainless steel 18.10 welded on the top
- Immersed heater into the double skin Electronic regulation of the water level into the double skin
- Hot/Cold water supply.
- Volumetric watermeter.
- Deplaced axis for draining at 300mm from the ground
- Heating stop while tilting.
- Differed start + timer
- Food trap
- 9 speed rotations programmed
- Tilting by electric cylinders (IP66 without maintenance)
- Removable mixing arm with bottom and sides PTFE scrapers
- Tilting control for a real ease of use, hygiene and safety
- Tilting stop in any position of tank

Options:

- 450 stainless steel feet height 900/930
- Side edge straight open for assembly machine on the right side
- Side edge straight open for assembly machine on the left side



Technical Data:

External dimensions	1200 X 925 X 900
Top thickness	3 mm
Structure	2 mm in stainless steel
Ring thickness	2 mm
Elliptical bottom	3 mm
Tank dimensions (ØxP)	Ø 500x490
Capacity	80L
Connected load (kW)	14
Voltage (V)	415 3 phase AC
Recommended fuses (A)	3 x 32
Space between tank and pillars	70 mm (easy cleaning)

